



WALLRACK DIMMING PANELS



Designed for the 230/240V markets, Strand Wallrack digital dimming panels define the new standard in permanent installation dimming for small/medium entertainment and architectural venues, the Wallrack digital dimming panels are available in two sizes. Wallrack digital dimming panels are convection cooled (no fans) and yet extremely compact – great for distributed dimming schemes or just to get a lot of dimmers into a small space!

All versions of the Wallrack digital dimming panel are provided with plug-in control processors – stylish, easy to use, and very easy to maintain. Wallrack digital dimming panels have dual DMX512 inputs, so you can use a Strand Lighting console on one input and a DMX architectural control network on the other.

Wallrack digital dimming panels offer a simple panic feature too, for connection to emergency systems, or just for cleaners' lights. All Wallrack digital dimming panels may be upgraded to earth-leakage protection at installation, using standard 4-pole RCDs.



WALLRACK DIMMING PANELS

FEATURES

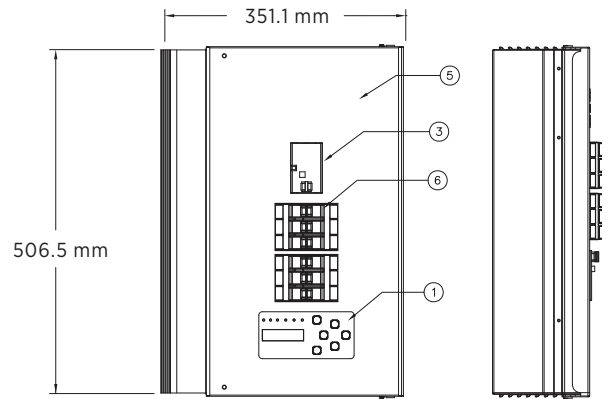
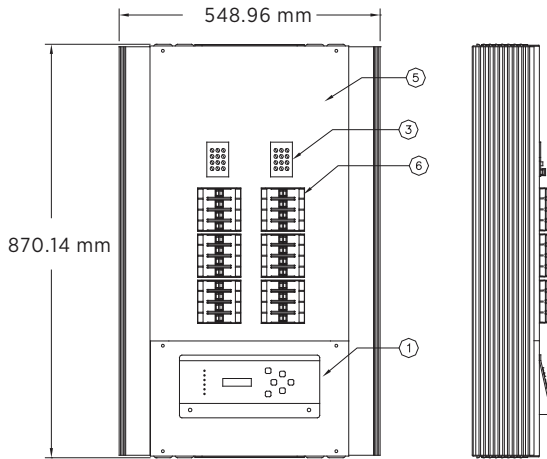
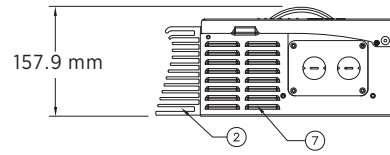
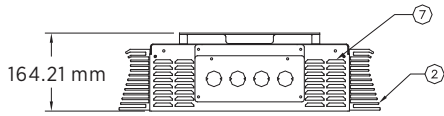
- Available in 24 x 2.5kW and 6 x 2.5kW configurations
- 220-240VAC, 3-phase/single phase operation
- MCB (SPN) protection for each channel
- Field-upgradeable to RCD protection
- Easy installation/compact size
- Convection cooled - no fans
- Substantially overrated power devices
- Dual DMX512 input, DMX512 patch and DMX512 output
- Powerful patch, with user-selectable curves and non-dims
- 8 remote preset closures and Panic input
- Up to 6 analogue outputs for external fluorescent or contactor operation
- Plug in control electronics for easy maintenance
- Ample cable space for top or bottom entry
- Simple and intuitive software configuration
- LED indicators for 3 phases, DMX A and B, and Over-temperature
- Integral power supply for up to eight Accent DMX architectural control stations



WALLRACK DIMMING PANELS

POWER		
Supply	230/240V 3 phase up to 80A	
Rise time	160Qs toroidal filter chokes	
CONNECTIONS		
DMX512	Dual in, merged out	
ENVIRONMENT		
	°C	°F
Operating temperature	0 to 37	32-98.6
Humidity	0-95% non-condensing	
PHYSICALS		
IP rating	IP30	
Color	Black	
Construction	Formed steel assembly	
DIMENSIONS (H x W x D)		
	75356	75357
mm	870 x 549 x 164	507 x 351 x 158
in	34.2 x 21.6 x 6.5	19.9 x 13.8 x 6.2
WARRANTY & APPROBATIONS		
Warranty	2 years	
Compliance	EMC emissions to EN50081-1, EN55014; EMC immunity to EN50082-1, IEC1000-2-2	
Safety	EN60950, EN60439 Part 1 (also part 12 BS5486); design & build: ISO9000; CE marked	

WALLRACK DIMMING PANELS



75356 Wallrack Dimming Panel
(24 x 2.5kW, 230V)

75357 Wallrack Dimming Panel
(6 x 2.5kW, 230V)

- (1) Digital Main Processor unit
- (2) Heat Sinks
- (3) Main Feed terminal Blocks (Optional RCD Protection)
- (4) Load and Control Entry Points

- (5) Removable Front Panel
- (6) Dimmer Primary Circuit breakers
- (7) Intake & Exhaust Vents (no fans)

PRODUCT NAME	ORDER CODE
Wallrack Dimming Panel, 24 x 2.5kW 230V	75356
Wallrack Dimming Panel, 6 x 2.5kW 230V	75357

© 2018 Signify Holding. All rights reserved.

All trademarks are owned by Signify Holding or their respective owners. The information provided herein is subject to change, without notice. Signify does not give any representation or warranty as to the accuracy or completeness of the information included herein and shall not be liable for any action in reliance thereon. The information presented in this document is not intended as any commercial offer and does not form part of any quotation or contract, unless otherwise agreed by Signify. Data subject to change.

Ref: 75356-100-00